

20 LITRE CLOSED CIRCUIT SAMPLER

- ◆ **FULL VISUAL AVIATION FUEL CHECKING IN A CLOSED SYSTEM**
- ◆ **INCREASED CAPACITY FOR LARGER VOLUME OR COMPOSITE SAMPLES**
- ◆ **NO FUEL SPILLAGE**
- ◆ **EASY DETECTION OF DIRT AND WATER**
- ◆ **NO SAMPLE CONTAMINATION**
- ◆ **EASY TO CLEAN**
- ◆ **DIRECT DRAINAGE UNDER GRAVITY**
- ◆ **WATER DETECTION, DENSITY AND TEMPERATURE CHECK OPTIONS**



Introduction.

Since its introduction in 1982 the Aljac 4 Litre Closed Circuit Sampler has displaced the traditional open bucket or glass jar method of carrying out the 'clear and bright' quality check on aviation fuel. However, although a 4 Litre sample is ideal for refuelling vehicles where single point samples are taken via short small bore sample lines, a larger sample volume is needed where the pipework volume would be flushed into a bucket prior to the glass jar sample, or where composite samples are required. The sampling of multi compartment road tankers or rail tank cars, or medium capacity storage tanks are typical examples, so we developed our 20 Litre Closed Circuit Sampler (CCS) which retains all of the novel features of the 4 Litre unit.

Description and Operation.

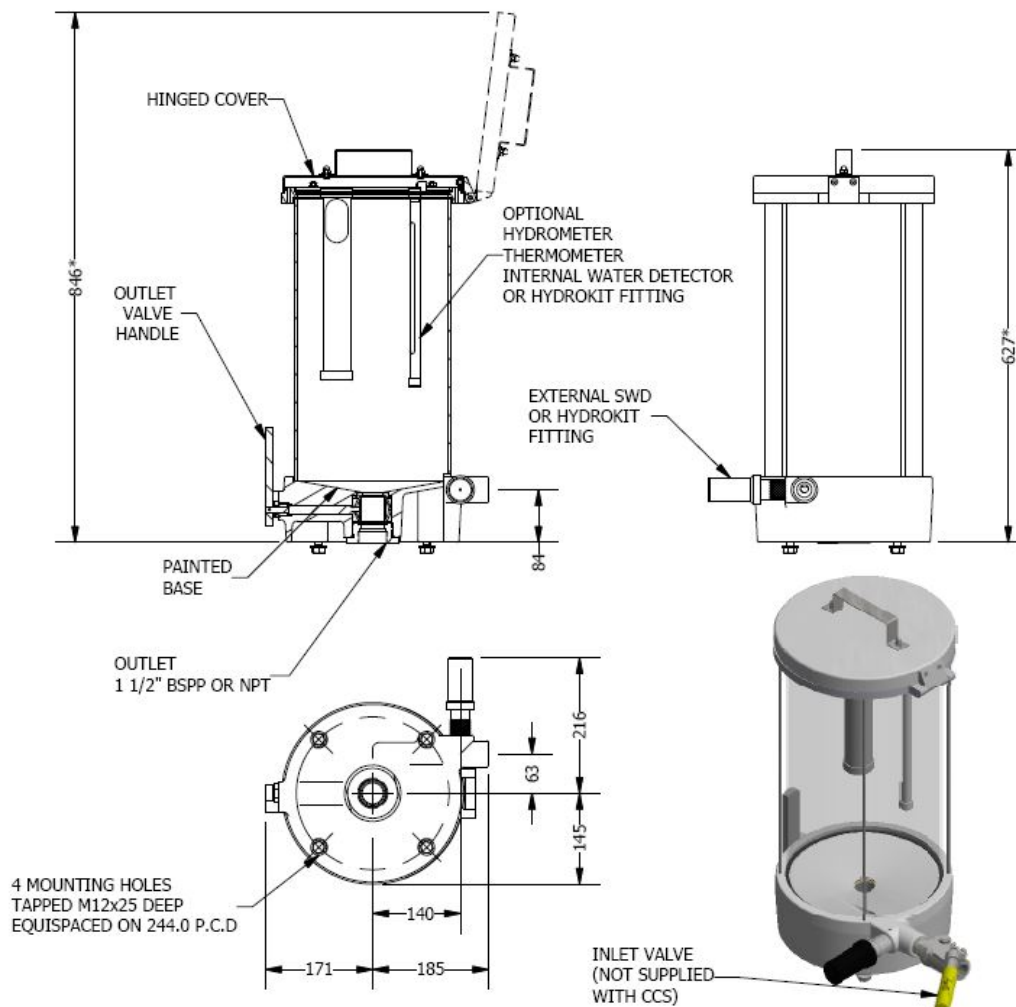
The Aljac 20 Litre CCS consists of a clear glass tube fitted to a white epoxy coated conical base to assist in the detection of dirt and water, and with a hinged vented cover. The base incorporates a tangential inlet port, and a close coupled Stainless Steel drain valve. For our 20 Litre CCS we recommend that the inlet port is connected to the sample points using 20mm diameter pipework to

maximise the flow rate, and that the filling operation is controlled using 3/4" spring close valves. The drain port should be connected to the depot product recovery system, or storage tank using 40mm diameter pipework. The 20 Litre CCS should ideally be located to allow gravity drainage, but if not, we can supply a semi rotary pump and non return valve to drain the CCS.

When fuel is drawn into the CCs under pressure from the sample points the tangential inlet port promotes vortexing of the incoming fuel. This concentrates any contamination in the centre of the base, and makes detection very easy. The integral drain valve is opened to release the sample after completion of the visual inspection. Internal cleaning of the Aljac CCS is easily accomplished through the hinged lid.

Hydrometer and thermometer pockets for density and temperature checks can be provided in conjunction with a removable inner lid. The Shell Water Detector or Velcon Hydrokit test can either be fitted to the inner lid (internal), or to a self sealing valve in the inlet port (external).

General Arrangement Drawing.



ALJAC 20L CLOSED CIRCUIT SAMPLER (CCS)

(DIMENSIONS SHOWN THUS * ARE APPROXIMATE ONLY)

Detailed Specification.

Working Capacity: 20 Litres.

Materials: Toughened glass tube, cast Aluminium base and upper section, base white epoxy lined internally.

Connections: Inlet 3/4" NPT female threaded, outlet 1.1/2" NPT female threaded.

Mounting Holes: 4 holes M12 female threaded on 244 mm PCD.

Overall Dimensions: 627 mm high (lid closed), 356 mm wide, 361 mm deep (with external Shell Water Detector or Velcon Hydrokit fitted).

Nett Weight: 15 Kg (empty).

Standards.

The equipment has been subjected to a full risk assessment which included the requirements of the EC directives and harmonised standards. In accordance with European legislation, it has been concluded that the equipment should not carry a CE mark.

How To Order.

Contact our Sales Department and quote the part number.

Description	Part Number NPT threads
Basic Model	6007263001
Basic Model + Internal Velcon Hydrokit Fitting	6007263002
Basic Model + Internal Shell Water Detector Fitting	6007263003
Basic Model + Internal Velcon Hydrokit Fitting + Hydrometer and Thermometer Tubes	6007263004
Basic Model + Internal Shell Water Detector Fitting + Hydrometer and Thermometer Tubes	6007263005
Basic Model + Hydrometer and Thermometer Tubes	6007263016
Additional External Shell Water Detector Fitting	6007233214
Additional External Velcon Hydrokit Fitting	6007233206
Additional 3/4" Apollo Spring Close Fill Valve	0607650401