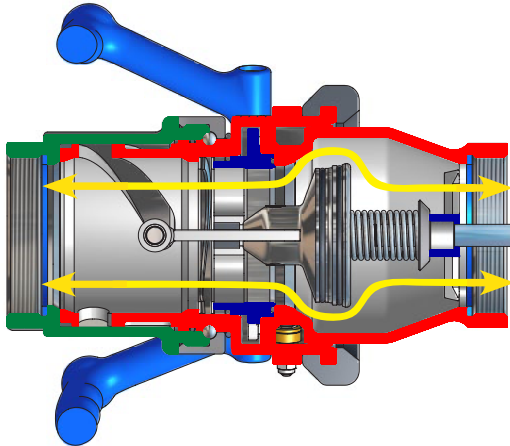


How it Works – The Coupling Function

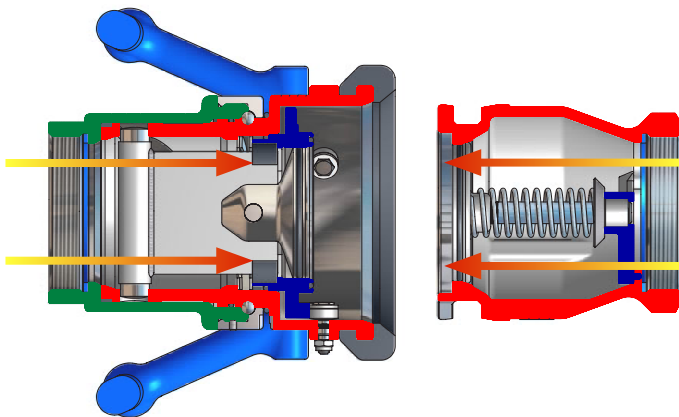
To connect

- push and turn the hose unit
- coupled
- full flow



To disconnect

- turn hose unit and pull it off
- released
- media flow stopped, no spill



For the connection of DDCouplings, the hose unit (coupler) is pushed onto the tank unit (adapter).

The three rollers within the coupler engage in the three slots of the adapter.

A turn of 15 degrees clockwise locks the coupler to the tank unit.

When the unit is turned a further 100 degrees, helical slots transform the rotation movement to move both valves into the tank unit so that the media can flow.

When a similar turn is made counter-clockwise, the flow is stopped and the coupler can be pulled off.

Advantages of Mann Tek DDCouplings:

● **Time Saving**

Quick connection, no need to drain hose or pipe system

● **Easy to Use**

Coupling and uncoupling is self-explanatory

● **Economical**

No media loss during connection or disconnection

● **Safe**

The valve can not open until the unit is properly coupled

● **Environmentally Friendly**

Accidental spillage eliminated

● **Reliable**

Robust construction - long lifespan if used properly